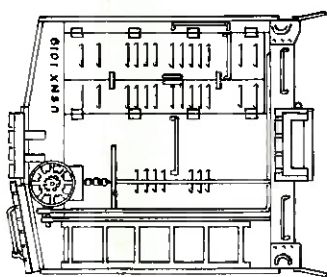
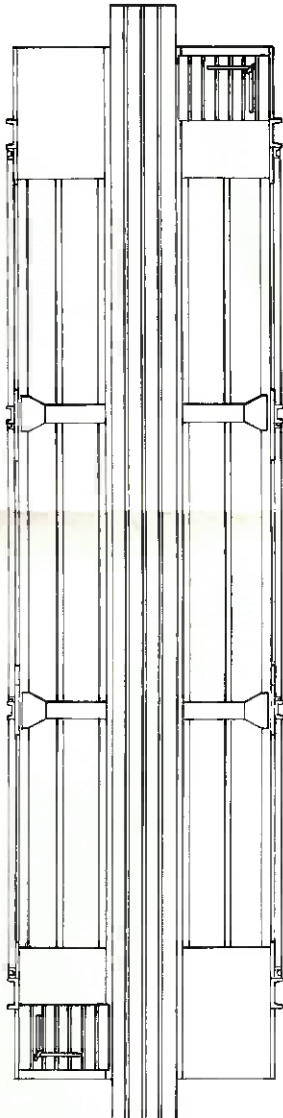
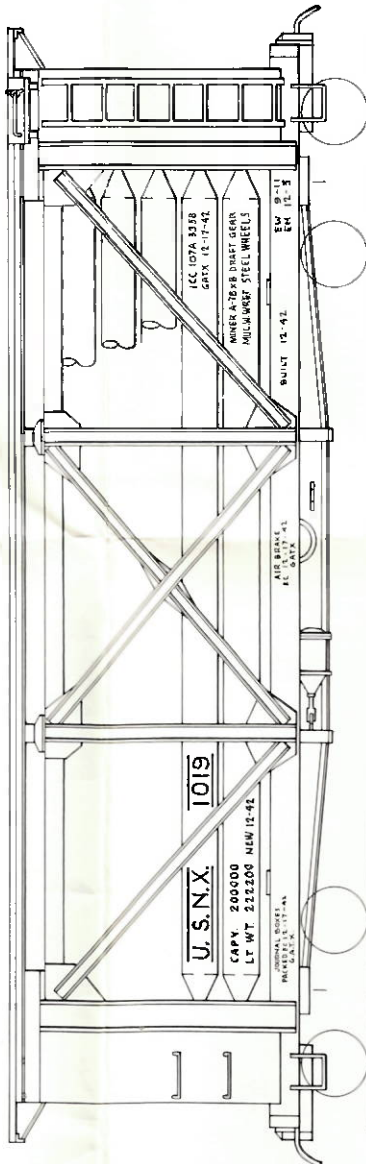
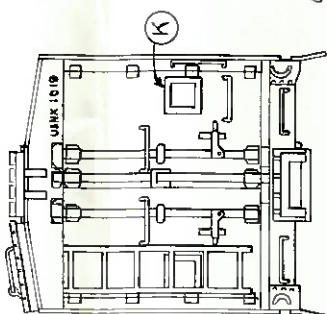
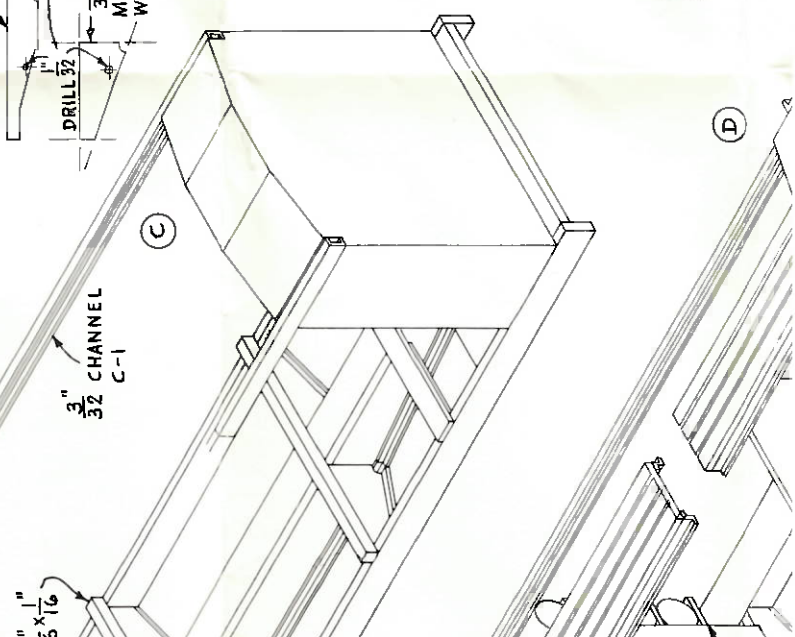
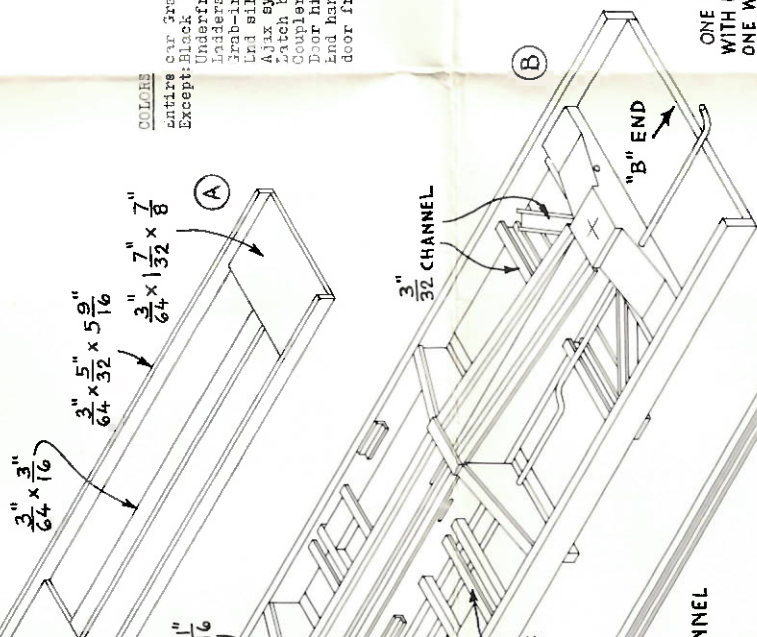


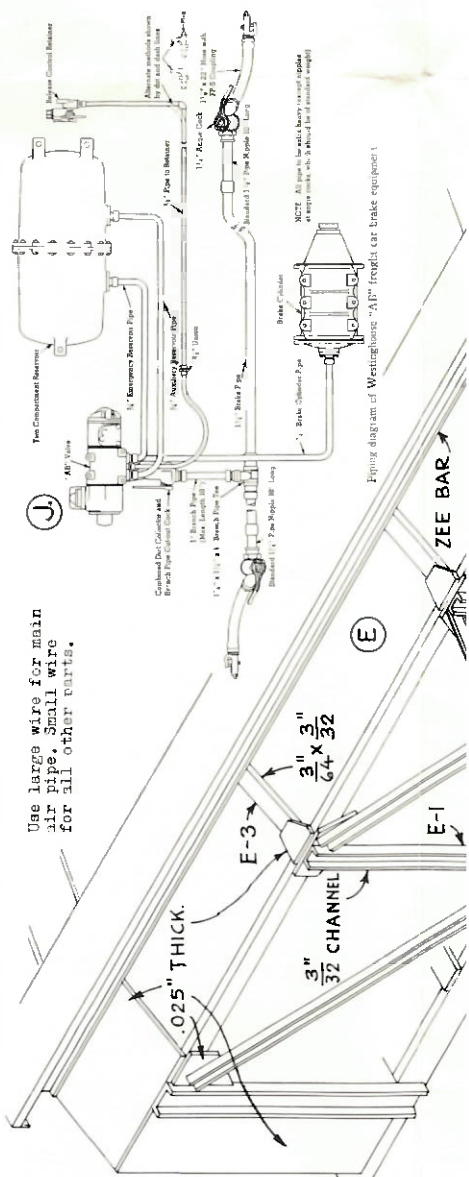
COLORS

Entire car tray,
Except: Block
Underframe
Ladders
Grab-irons
Lair sills
Alix system
Torch bars
Couplers
Door hinges
End Hand-hole
door frames, (E).



"B" END.

1. Assemble basic underframe (A).
2. Trim center sill (H), cut slots for brake levers and cement angles.
3. Drill bolsters (G). Make up crossbearers and cement to underframe (B). Fine detail on underframe may be applied at this stage or left until install is completed.
4. Trim end castings to match end blocks.
5. Cement end blocks in place (C) using the pre-cut tank dowels for spacing. Apply $\frac{3}{32}$ " channel (C-1).
6. Taper tank ends, using dime store pencil sharpener. Use care to taper all equally.
7. Install tanks (D). Check alignment of $1/16$ " x $1/32$ " tank supports so that they will be covered by vertical channels (E-1).
8. Drill end castings and end sills for grab-irons and ladders. Cement to end blocks.
9. Fit and cement .025" thick end block overlays (D-1) in place.
10. Make up gussets (E-2) and cement in place. Fit and apply side channel bracing.
11. Install roof walk and top cross bracing (E-2).



ZEE BAR