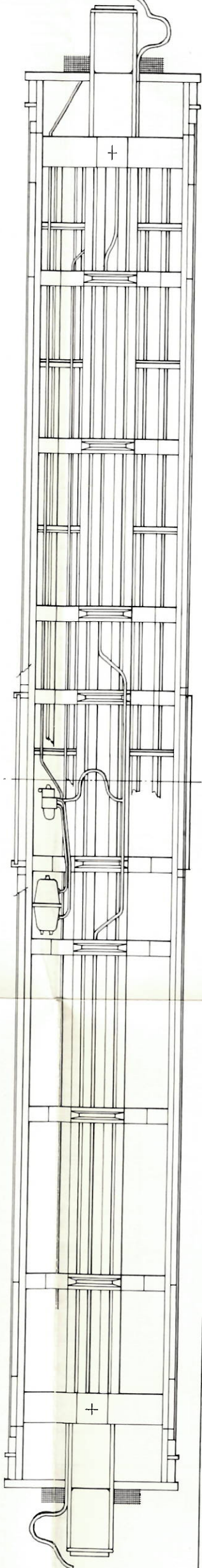
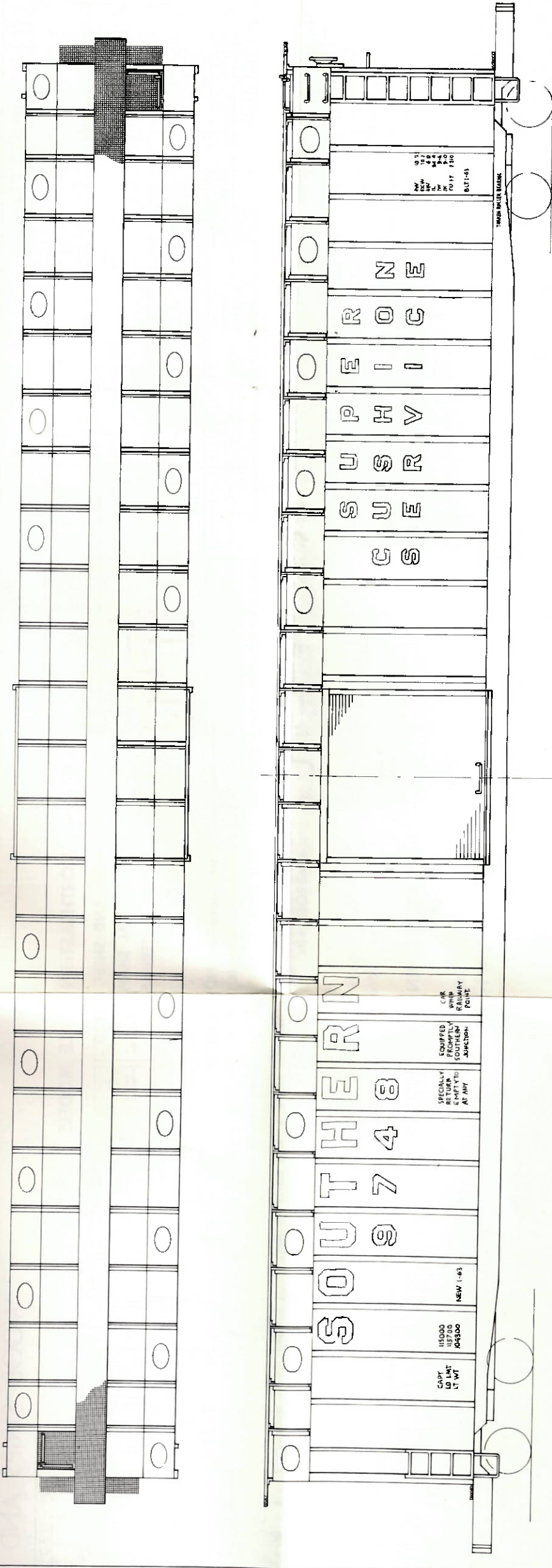


SOUTHERN RAILWAY
70 TON TOBACCO HOGSHEAD CAR



ROOF SKYLIGHTS

Using a loose leaf paper punch (dime store item) make twenty discs from the translucent material provided. Locate the window areas and stain with black ink. Cement the discs to the roof using just enough cement to avoid squeeze-out.

TRUCKS and COUPLERS

Because of the wide variety of trucks and couplers available, these items are not supplied in the kit. The Kentron coupler pockets supplied will accommodate most makes of couplers.

The prototype uses Tinker Roller Bearing trucks.

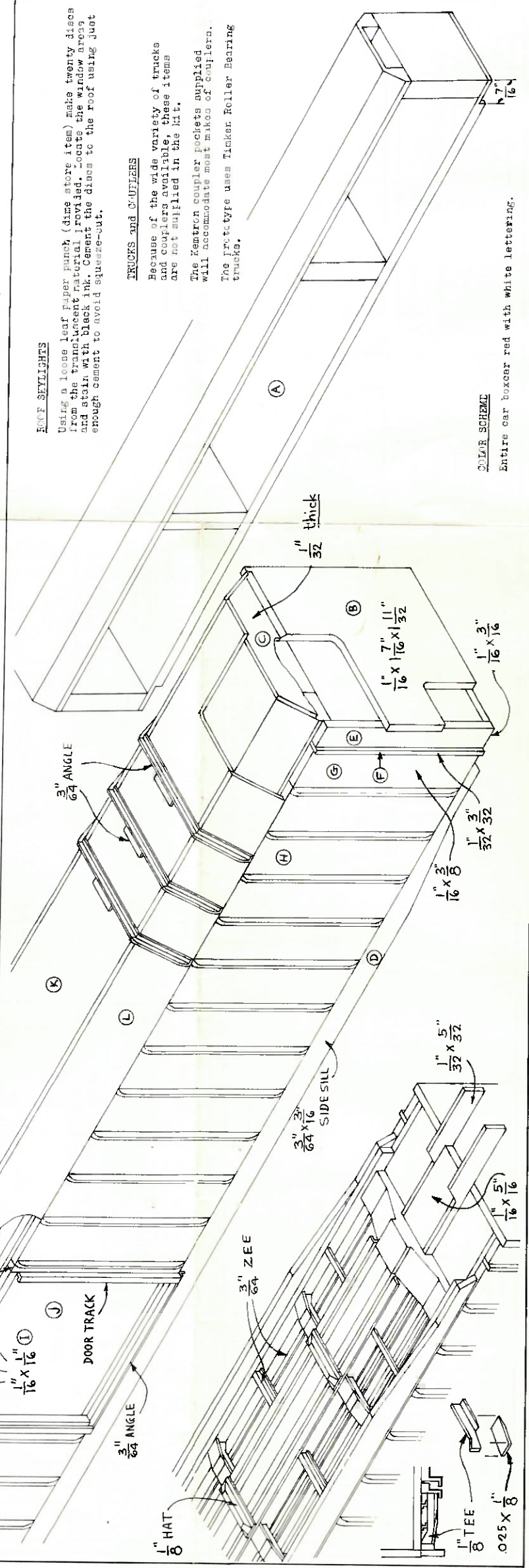
ASSEMBLY NOTES

Build up the car through the alphabetical sequence as noted on plan. The complete underframe as used on the prototype is shown and materials are supplied to build it. Two lengths of center sill are furnished. One is to be split along the middle and mounted as shown on the cross-section drawing.

The brake system on this car is very simple to install since there are no levers or rods, the air cylinders being built in the trucks. Note the loops in the air lines to provide for the longitudinal motion of the cushion underframe.

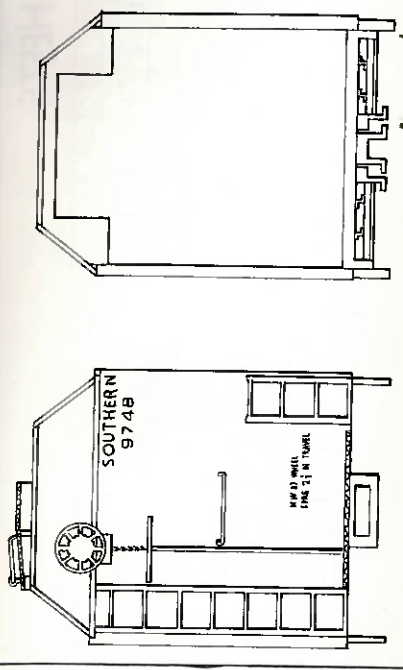
After the door tracks are installed, the door material should be trimmed to fit the grooves and slid up from the bottom. Then the $\frac{1}{32}$ inch angle is to be cemented under the door. Note that the inner edge of the door track groove is flush with the outside surface of the side sheathing.

If a part is defective or missing, or if you smell a part, send to NORTHEASTERN SCALE MODELS, Inc., Box 100, Ballard Vale, Mass. 01810 for free replacement. Be sure to mention kit by name.



COLOR SCHEME

Entire car boxcar red with white lettering.



STRUCTURAL SHAPES

	1. MM. .040	1.5 MM. 3/64	2. MM. 5/64	3. MM. 1/8	4. MM. 5/32	5. MM. 3/16	5. MM. 1/4	8. MM. 5/16	10. MM. 3/8	1/2
ANGLES	L .10	L .10	L .10	L .12	L .12	L .15	L .15	L .20	L .25	L .30
TEES	L .10	L .10	L .10	L .12	L .12	L .15	L .15	L .20	L .25	L .30
ZEEES	L .10	L .10	L .10	L .12	L .12	L .15	L .15	L .20	L .25	L .30
HAT SECTION	L .10	L .10	L .10	L .12	L .12	L .15	L .15	L .20	L .25	L .30
CHANNELS	L .10	L .10	L .10	L .12	L .12	L .15	L .15	L .20	L .25	L .30
COLUMNS (Wide flange beams)	L .12	L .12	L .12	L .15	L .15	L .20	L .20	L .25	L .30	L .35
I BEAMS	L .12	L .12	L .12	L .15	L .15	L .20	L .20	L .25	L .30	L .35
QUARTER ROUND	L .10	L .10	L .10	L .12	L .12	L .15	L .15	L .20	L .25	L .30
DOOR TRACK	L .10	L .10	L .10	L .12	L .12	L .15	L .15	L .20	L .25	L .30
FLANGES	L .10	L .10	L .10	L .12	L .12	L .15	L .15	L .20	L .25	L .30

SIDING MATERIALS

CLAPBOARD SIDING	LAP SPACING	1/32	1/64	1/16	3/32	1/8	3/16	1/4	3/8	1/2
	SHEET SIZE	3 1/2" x 24"								
		1" thick 85¢ per sheet								
		3/32" thick 85¢ per sheet								
BOARD & BATTEN (CAPPED) SIDING	CAP SPACING	3/32	1/8	3/16	1/4	3/8	1/2	3/4		
	SHEET SIZE	3 1/2" x 24"								
		1" thick 85¢ per sheet								
SCRIBED SHEATHING	SCRIBE SPACING	.025	1/32	1/16	3/64	3/32	1/8	1/4	3/8	1/2
	SHEET SIZE	3 1/2" x 24"								
		1" thick 75¢ per sheet								
		1/16" thick 85¢ "								
CORRUGATED SIDING	CORR. SPACING	.040	1/16	3/32	1/8					
	SHEET SIZE	3 1/2" x 24"								
		.040 thick 75¢ per sheet								
CONCRETE WITH FORM IMPRINT	FORM BOARD WIDTH	1/16	1/8	3/16						
	SHEET SIZE	3 1/2" x 24"								
		.040 thick 75¢ per sheet								
BRICK red, yellow	HO	75¢ per sheet								
CONCRETE BLOCK	S	Sheet size 3 1/2" x 12"								
CINDER BLOCK	O	Sheet size 3 1/2" x 12"								
		TERRA COTTA GRAY GREEN THREE COLOR								
		Sheet size 3 1/2" x 12"								
		FLAGSTONE								
		Silk screen printed on 1/16" Basswood								
		HO-S S-O								
		75¢ per sheet								
		75¢ per sheet								
		20 "								

WOOD STRIPS AND SHEETS

NORTHEASTERN SCALE MODELS

STRIP AND SHEET WOOD STRUCTURAL SHAPES SIDING MATERIALS CAR PARTS

The complete NORTHEASTERN line of wood model building materials is listed and illustrated full size on this page.

Quality and precision are the same as the parts in the AMBROID kits.

See your hobby dealer for NORTHEASTERN products. If he can't supply your needs, order direct giving us his name and address.

NORTHEASTERN SCALE MODELS, Inc.

Box 100
Ballard Vale, Mass. 01820
Phone 617 - 475-1902

MM.	.75	1.0	1.5	2.0	3.0	4.0	5.0	6.0	8.0	10.0	12.5	25.0	50.0
INCHES	3/32	1/4	3/16	1/4	3/8	1/2	5/8	3/4	1	1 1/8	1 1/4	2	4
.012	.02	.02	.02	.02	.03	.03							
.5	.02	.02	.02	.02	.03	.03							
.75	.02	.02	.02	.02	.03	.03	.04	.04	.05	.06	.07	.08	.10
1.0	.040	.02	.02	.02	.03	.03	.04	.04	.05	.06	.07	.08	.10
1.5	1/16	.02	.02	.02	.03	.03	.04	.04	.05	.06	.07	.08	.10
2.	1/8	.02	.02	.02	.03	.03	.04	.04	.05	.06	.07	.08	.10
3.	3/16	.02	.02	.02	.03	.03	.04	.04	.05	.06	.07	.08	.10
4.	1/4	.02	.02	.02	.03	.03	.04	.04	.05	.06	.07	.08	.10
5.	5/16	.02	.02	.02	.03	.03	.04	.04	.05	.06	.07	.08	.10
6.	3/4	.02	.02	.02	.03	.03	.04	.04	.05	.06	.07	.08	.10
8.	1 1/16	.02	.02	.02	.03	.03	.04	.04	.05	.06	.07	.08	.10
10.	1/2	.02	.02	.02	.03	.03	.04	.04	.05	.06	.07	.08	.10
12.5	5/8	.02	.02	.02	.03	.03	.04	.04	.05	.06	.07	.08	.10
25.	1	.02	.02	.02	.03	.03	.04	.04	.05	.06	.07	.08	.10
50.	2	.02	.02	.02	.03	.03	.04	.04	.05	.06	.07	.08	.10

All items in this catalog are normally supplied in Basswood. We can also supply many sizes in American Holly, Mahogany and Black Walnut at 50% over listed prices. See shaded sections for availability.

BASSWOOD	
BASSWOOD AMERICAN HOLLY	
BASSWOOD AM HOLLY	
BLACK WALNUT	
MAHOGANY	

ROOFS and FLOORS

OVER-HANGING	TT	HO	S	O	45	.60	.75	.95
RECESSED	45	.60	.75	.95				
CABOOSE	45	.60	.75	.95*				
REFRIGERATOR	45	.65	.85*	1.00*				
HOLLOW CABOOSE					50			
INNER ROOF	.35	.55	.70	.85				
FREIGHT FLOOR	.15	.25	.30	.40				
END BLOCK	.20	.35	.40	.50				
CLERE-STORY PASSENGER	.75	.90	1.50					
PASS. FLOOR	.25	.25	.30					
STREAM-LINE ROOF	.65							
STREAM-LINE FLOOR	.75							

MISCELLANEOUS CAR PARTS	TT	HO	S	O
COACH SIDING WITH INTEGRAL BELT RAIL				.35
CENTER SILLS SOLID FREIGHT	.10	.15	.20	.30
GROOVED	.20	.25	.35	
DEEP FISH BELLY	.15	.20	.25	.35
PASSENGER	.30			
ROOF WALK	.10	.10	.15	.20
LATERAL ROOF WALKS	.15	.15	.20	.25
BOLSTERS	.10	.10	.10	.15
WINDOW MOLDING	.15			
CORNER POST	.10			
BELT RAIL	.10			
THRESHOLD	.10			

PREFORMED GRABIRONS

HO GAUGE 7 3/32" LONG
S GAUGE 9 3/32" LONG
PRICE \$1.00 PER GROSS

Unless Otherwise Noted All Forms Listed On This Page Are 24" Long