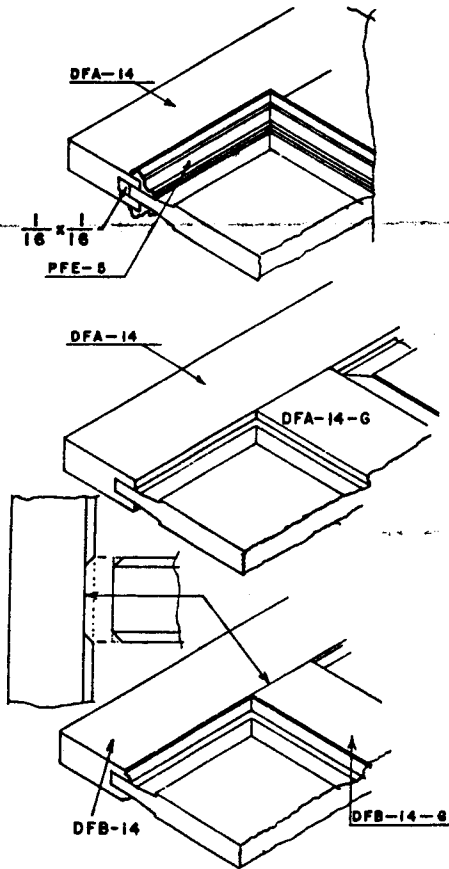


CONSTRUCTION TIPS . . .

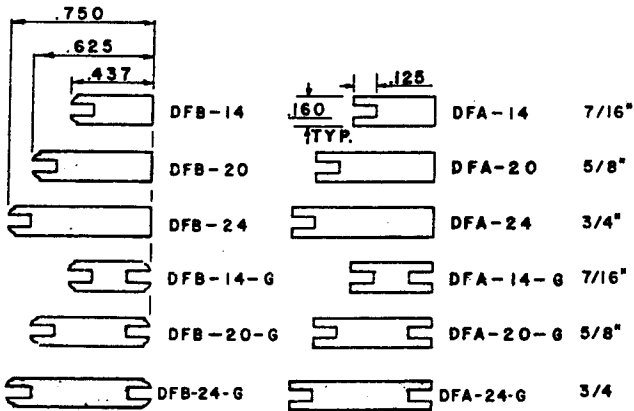
How to make Doors . . .

The door illustrated on this page is one of a large number of door types and sizes which can be made using our door panels and frames. The interchangeable door frames make possible variations in door widths and heights. Mouldings such as PFE-5 may be added (as shown) to create additional styles.

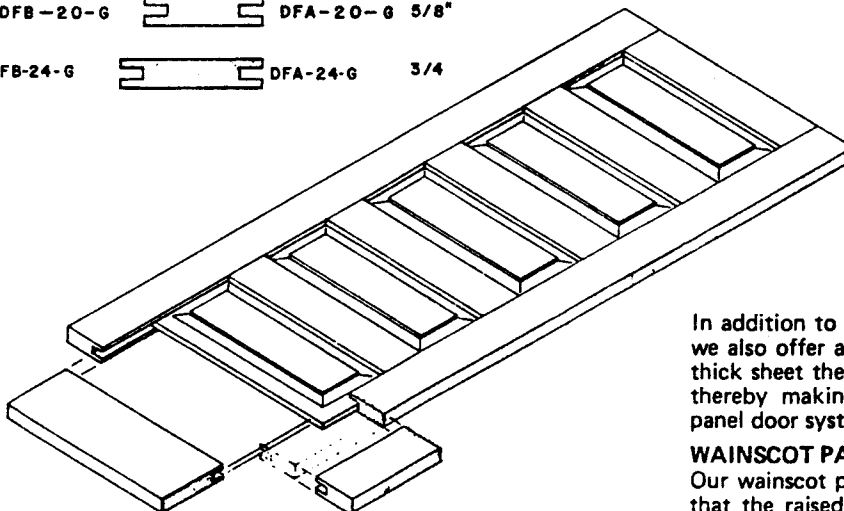
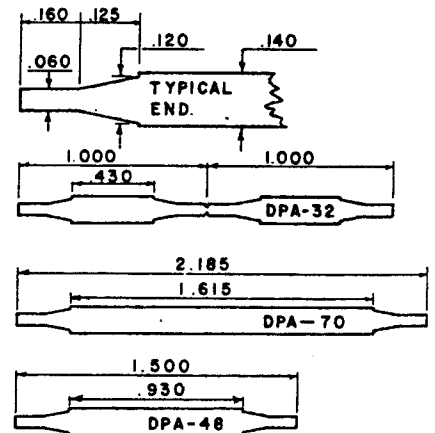
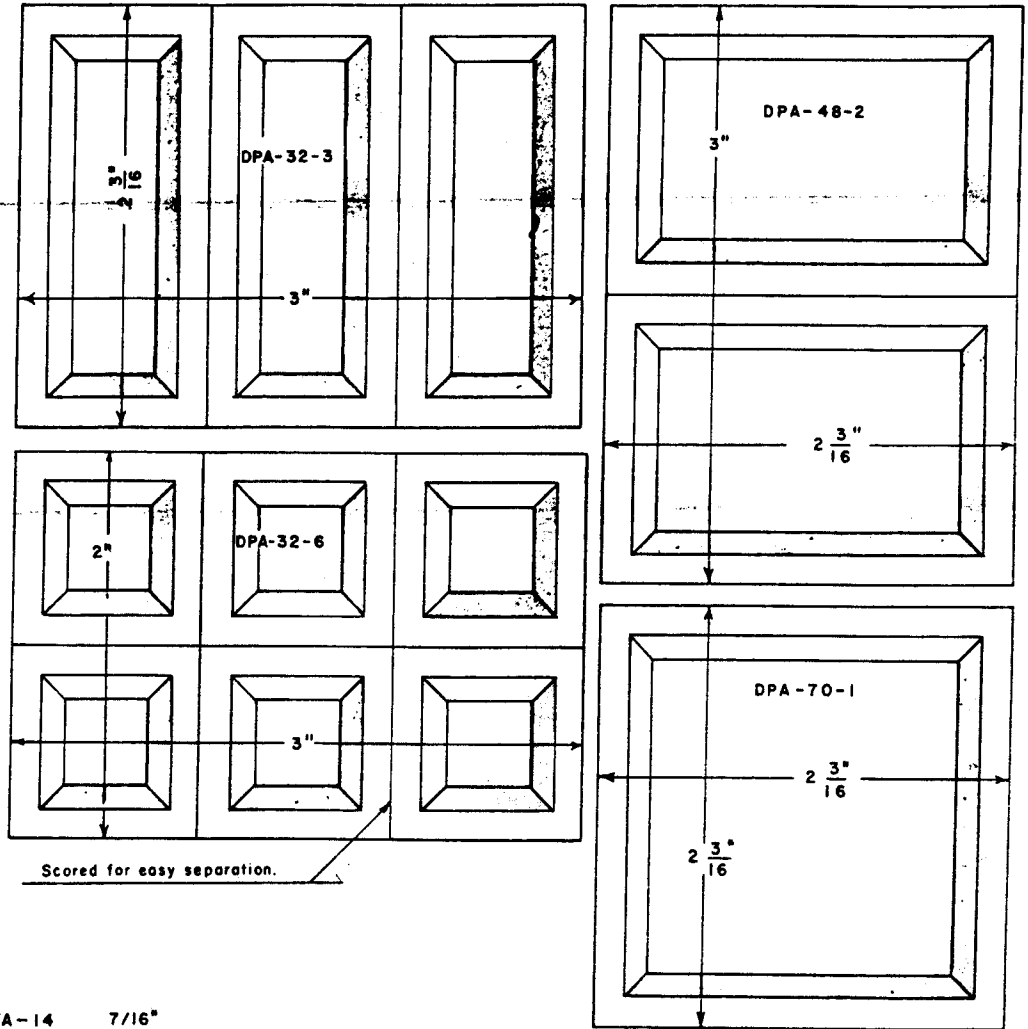
RAISED PANEL DOOR SYSTEM



DOOR FRAMES



DOOR PANELS



In addition to the raised panel door system as shown above, we also offer an alternative system. This consists of a 3/64" thick sheet the size of the door with mouldings to be added, thereby making available door styles not possible with the panel door system. See items PDA-16 thru PDB-28 and PFE-5.

WAINSCOT PANELS

Our wainscot panels are similar to raised door panels except that the raised panel is on one side only. See our wainscot system for more information.